

SPICER®



X510-10

April 2013

Light Axle Parts for Nissan Applications



The Spicer X510-10 is a comprehensive catalog that delivers the information you need about light axle parts for Nissan applications — all in one convenient place.



CONTENTS

How to Use This Catalog	2
General Information	4
Axle Kits	6
Dana 205™ Front Axles for 4 x 4	
Exploded View	8
Parts Listing	9
Bill of Material Table	10
Variable Parts Table	10
Dana Super 44™ /226 Rear Axles	
Exploded View	12
Parts Listing	13
Bill of Material Table	14
Variable Parts Table	16
Bearing Adjustment Shim Table	19

How to Use This Catalog

This catalog contains applications and part listings for front and rear axles which fit Nissan vehicles from model years **2003** and newer.

The data in this publication is arranged in numerical order by model for front axles and then for rear axles. Each model contains the following three sections as appropriate:

- **Parts Listing and Exploded View**

This section contains an exploded view of the axle and lists all the part numbers for those parts illustrated. The parts that do not have a common part number have a footnote reference indicating where to find the correct part number for each Bill of Material.

X510-10

Dana Super 44™ /226 Rear Axle Parts Listing



ITEM NO.	PART NUMBER	DESCRIPTION	ITEM NO.	PART NUMBER	DESCRIPTION
1	-(3)	Housing - Axle Service	2	-(2)	Lock-Diff. Brg. Adjuster Ring-Right
2	-(1)	Drive Pinion & Gear Assembly	3	200455	Lock-Diff. Brg. Adjuster Ring-Left
3	41214- (5)	Inner Pinion Shims	4	4784-	Bolt-Diff Brg Adjuster Lock
4	706046X	KIT - Inner Pinion Bearing	25	2003431	Bolt - Drive gear
5	46925	Collapsible Spacer	26	-(4)	Washer-Solenoid
6	706123X	KIT - Outer Pinion Bearing	27	50474	Pinion - Differential(std)
7	49692	Thrustwasher	28	51570	Gear - Differential(std)
8	-(2)	Seal - Pinion Oil	29	46948	Thrustwasher - Diff Pinion(std)

- **Bill of Material Table**

This section contains vehicle applications listed in order by year. Included in the table are the major kits and assemblies for each Bill of Material number.



Dana Super 44™ /226 Rear Axle Bill of Material Table

X510-10

Axle			Axle Kits				Shaft & Joint Assy.	
Bill of Material	Diff. Type	Ratio	Ring Gear & Pinion Kit ⁽⁷⁾	Differential			Right Hand Shaft Assy.	Left Hand Shaft Assy.
				Case Assy. Kit ⁽⁸⁾	Case Kit	Inner Parts Kit		
2003-07 Armada, Pathfinder, Titan								
606742-5	Standard	2.94	2002551-5	2016948(3)	-	2016949(3)	84776-1	84776-1
606742-6	Standard	3.36	2002566-5	2016948(3)	-	2016949(3)	84776-1	84776-1
606886-3	Standard	2.94	2002551-5	2016948(3)	-	2016949(3)	84776-1	84776-1
606886-4	Standard	3.36	2002566-5	2016948(3)	-	2016949(3)	84776-1	84776-1
2004-08 Frontier								
606920-1	Standard	3.54	2002566-5	2016948(3)	-	2016949(3)	85605-1(3)	85605-1(3)
606920-2	Standard	3.69	2006272-5	2016948(3)	-	2016949(3)	85605-1(3)	85605-1(3)
606921-1	E/L	3.54	2002566-5	2016950	-	-	2001425-1(3)	2001425-2(3)

- **Variable Parts Table**

This section contains the individual part numbers that vary by Bill of Material number for a given model.



Dana Super 44™ /226 Rear Axle Variable Parts Listing

X510-10

Variable Parts - Use With All Applications							
Description & Item Number (Refer to "Exploded View" at the front of this section)		Bill of Material					
		1	200189	2001290	2004793	2004794	
1	Seal - Pinion Oil	8	2004958(3)	2004958(3)	2004958(3)	2004958(3)	2004958(3)
2	End Yoke/Companion Flange Assy	3	2006270(3)	2006270(3)	2006269	2006270(3)	2006270(3)
3	KIT - Carrier Cover (inc 12,13,14)	-	2016953	2016953	2016952	2016953	2016953
4	Carrier Cover	12	85637(3)	85637(3)	85641(3)	85637(3)	85637(3)
5	Bolt - Carrier Cover (qty 12)	14	34279	34279	34279	34279	34279

Note: Additional information on Dana axles can be found in our General Information catalog number XGI. It contains the following sections:

- Bill of Material Numerical Listing
- Ring and Pinion Kits
- Differential Case Assembly Kits
- Axle Shaft Dimension and Components

General Information

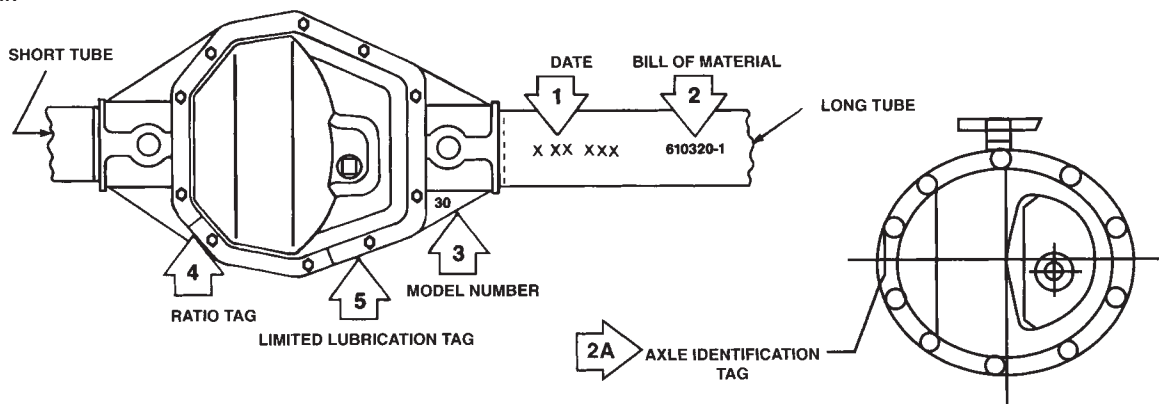
How To Identify A Dana Axle

All Dana Carrier Type axles are identified with a manufacturing date (1) and Bill of Material number (2) stamped on the right or left hand tube on driving axles. The Bill of Material number may also be found on the carrier in some models as shown in illustration (2A). For independent front suspension (IFS) axles, the B/M number may be located at one of three locations: 1) A vertically positioned tag near the center of the right hand side support arm, 2) stamped into the left hand side support arm (opposite end of the camber adjuster), or 3) stamped into the "nose end" of the axle carrier. The location of the information will depend on the manufacturing date of the axle.

The axle model number will be cast into one of the webs as shown (3), or it can be on the nose.

Each axle contains a gear ratio tag (4), and if the axle is equipped with a limited slip differential, it will have a tag specifying the type of limited slip lubricant to be used (5).

Refer to the appropriate model number section for parts identification and a breakdown of the Bill of Material.



How To Change Gear Ratios

To increase or decrease a gear ratio, there are certain steps that must be taken. The differential case depends upon the ratio desired. For each axle model, there is a high-ratio and a low-ratio case as illustrated below:

Dana Axle Model Case	Low Ratio Case	High Ratio Case	Dana Axle Model Case	Low Ratio Case	High Ratio
Dana 27™	3.73 and Down	3.92 and Up	Super 44™/226	None	3.07 and Up
Dana 28™/174	3.45 and Down	3.73 and Up	Dana 50™/229	4.30 and Down	—
Dana 28™/174 IFS Aerostar	3.27, 3.73	—	Dana 60™/248	4.10 and Down	4.56 and Up
Dana 30™/181	3.55 and Down	3.73 and Up	Super 60™/256	4.30 and Down	4.56 and Up
Super 30™/186	3.55 and Down	3.73 and Up	Dana 61™ Semi Float	3.00 and 3.07 only	—
Dana 35™/194	2.35 only	—	Dana 61™ Full Float	3.31 and Down	3.54 and Up
Dana 35™/194	3.31 - 3.73	3.54 and Up	Dana 70™/267	4.10 and Down	4.56 and Up
Super 35™/198	2.73 - 3.31	3.54 and Up	Dana 70™ 3HD	3.42 and Down	3.73 and Up
Dana 36™/200 ICA	2.73 and Down	3.07 and Up	Dana 70™ 2UA	3.07 only	—
Dana 44™/216	3.73 and Down	3.92 and Up	Super 70™/273	None	4.10 and Up
Dana 44™/216 ICA 1984 & earlier	3.73 and Down	3.92 and Up	Dana 80™/286	3.73 and Down	4.10 and Up
Dana 44™/216 ICA 1985 & later	2.87 and Down	3.07 and Up			

Example - If you have a Dana 44™ rear axle with a 3.54 ratio and wish to change to a 3.73 ratio, you change only the ring gear and pinion assembly. If you change the ratio to a 4.09, you must change to a high-ratio case in addition to changing the ring gear and pinion. The application section will show you what case to use. When the vehicle is equipped with both front and rear driving axles, the gear ratios must be the same in both axles. **The drive gear screws are self-locking and must be replaced with new screws each time that they are removed.**

How Limited Slip Differentials Operate

A conventional differential transmits all the ring gear torque through the differential gears to the axle shafts. Torque is at all times equal on the axle shafts, and if one wheel slips, the other wheel can only put out as much torque as the slipping wheel.

The Spicer Limited Slip differential has the same power flow as a conventional differential, plus a more direct flow which automatically takes effect as driving conditions demand. This more direct power flow is from the differential case to each axle shaft through a clutch plate and disc arrangement.

Arrangement of these plates and discs is at the option of the vehicle manufacturer, so care should be taken during disassembly to note the arrangement of these components.

The Limited Slip construction permits differential action when required for turning corners and transmits equal torque to both wheels when driving straight ahead. However, when one wheel tries to spin due to leaving the ground, a patch of ice, etc., the clutch packs automatically provide more torque to the wheel which is not trying to spin.

The Limited Slip differential resists wheel spin on bumpy roads and provides more pulling power when one wheel tries to slip. In many cases of differences in traction, pulling power will be automatically provided until both wheels start to slip.

In diagnosis of vehicle operators' complaints, it is important to recognize two things.

1. If, with unequal traction, both wheels slip, the Limited Slip Differential has done all it can possibly do.
2. In extreme cases of differences in traction, the wheel with the least traction may spin after the Limited Slip has transferred as much torque as possible to the non-slipping wheel.

How To Obtain Special Service Tools

Special service tools can be obtained from the following company:

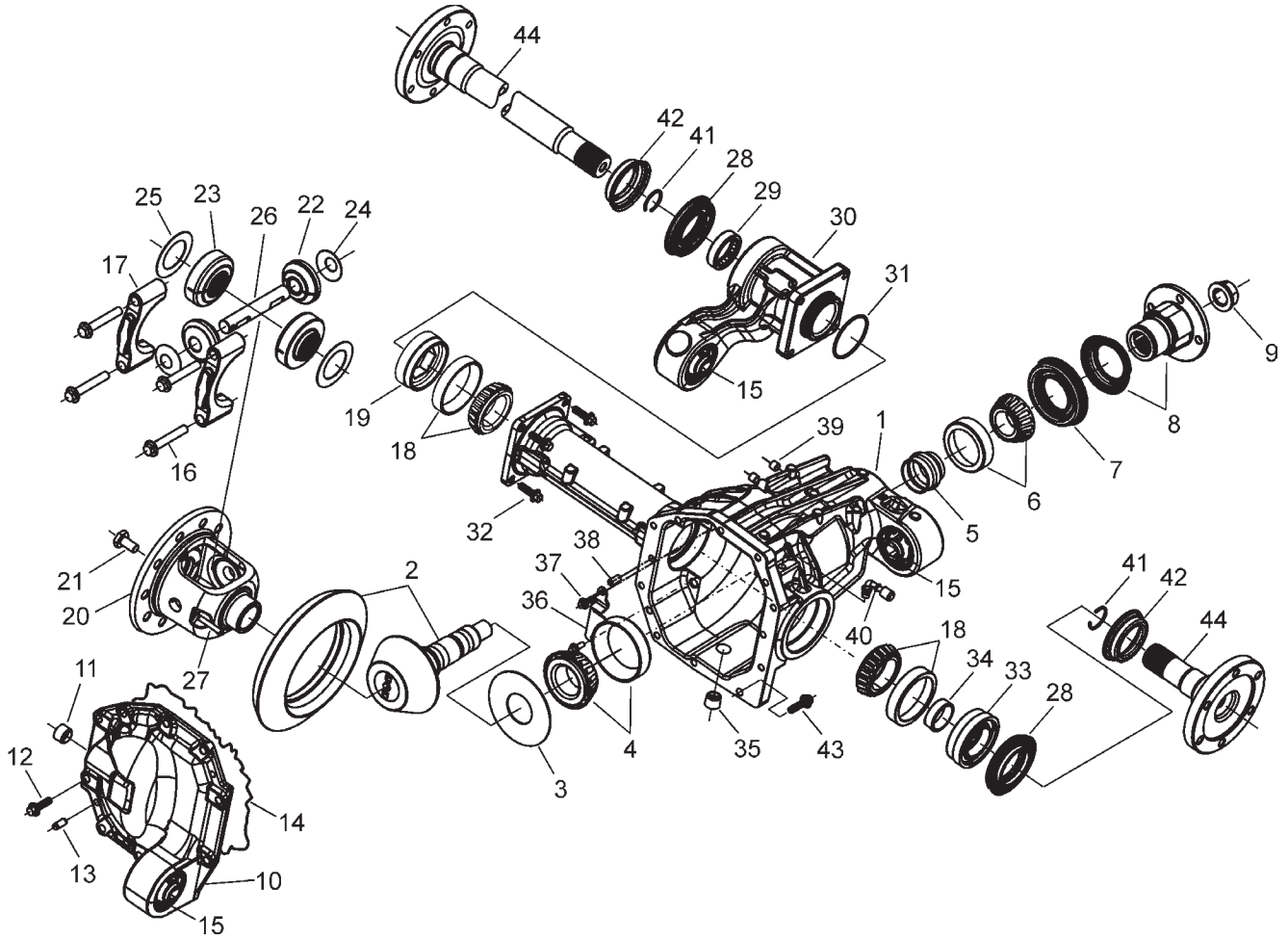
Kent-Moore
OE Tool and Equipment Group
SPX Corporation
28635 Mound Road
Warren MI 48092-3499
(800) 345-2233

SPICER® LIGHT AXLE KITS



**Dana 205™
Front Axles
for 4x4 Armada, Pathfinder, Titan**

Dana™ 205 Front Axle Exploded View



Dana™ 205 Front Axle Parts Listing

ITEM NO.	PART NUMBER	DESCRIPTION	ITEM NO.	PART NUMBER	DESCRIPTION
1	-(3)	Housing - Axle Service	24	50321 (4)	Thrustwasher - Diff. Pinion
2	-(1)	Drive Pinion & Gear Assembly	25	50114 (4)	Thrustwasher - Differential Gear
3	50161- (5)	Slinger - Variable Thicknesses	26	50564	Shaft - Differential (std)
4	708243(3)	KIT - Inner Pinion Bearing	27	13449	Lock - Differential Shaft
5	50313	Collapsible Spacer	28	54127(3)	Oil Seal - Tube & Carrier
6	708244(3)	KIT - Outer Pinion Bearing	29	566063	Bearing Assembly
7	54417	Seal - Pinion Oil	30	-(3)	Tube Assy. - RH side only(long side)
8	-(2)	End Yoke/Companion Flange assy.	31	54181	O-Ring - RH Tube
9	50366	Pinion Nut	32	51829-1	Screw - RH Tube
10	84780	Carrier Cover		-(2)	Adjuster Assy.(inc. 33, 34) LH
11	2001762	Plug - Carrier Cover Fill	33	-(4)	Adjuster - Diff. Brg. - LH
12	51829-2	Bolt - Carrier Cover (qty 9)	34	566131	Bearing Assy. - LH Tube
13	54509-1	Dowel Pin (qty. 2)	35	2001762	Plug - Carrier Drain
14	38615	RTV Silicone Sealant	36	54587	Baffle - Carrier Oil
15	52906	Bushing Assy.-Carrier,Cover,RH Tube	37	44991	Screw - Flange head
16	50118-2	Bolt - Differential Bearing Cap	38	51843-1	Set Screw
17	-(3)	Differential Bearing Cap	39	52778	Pipe Plug
18	708245	KIT - Differential Bearing	40	54022	Vent
19	-(2)	Adjuster - Diff Bearing - RH Tube	41	2002390	Retaining Ring - Flanged Axle Shaft
20	-(1)	Case - Differential (std)	42	52506	Seal Deflector
21	54128-1	Bolt - Drive Gear (qty 10)	43	51829-3	Bolt - Carrier Cover (qty 1)
22	50322 (4)	Pinion - Differential (std)	44	-(1)	Axle Flange Drive
23	-(2)	Gear - Differential (std)			

- (1) See "Bill of Material Table" on next page
(2) See "Variable Parts Table" within this section
(3) Contact Vehicle Manufacturer
(4) Not Sold Separately
(5) See shim table in the back of this catalog

Dana™ 205 Front Axle Bill of Material Table

Axle			Axle Kits				Shaft & Joint Assy.	
Bill of Material	Diff. Type	Ratio	Ring Gear & Pinion Kit ⁽⁷⁾	Differential			Right Hand Shaft Assy.	Left Hand Shaft Assy.
				Case Assy. Kit ⁽⁸⁾	Case Kit	Inner Parts Kit		
2003-06 4x4 Armada, Titan								
611192-1	Standard	2.94	2006105-5	708241	-	708242	2004949(3)	2004950(3)
611192-2	Standard	3.36	2006106-5	708241	-	708242	2004949(3)	2004950(3)
2006-14 4x4 Armada, Pathfinder, Titan								
2004946-1	Standard	2.94	2006105-5	2016993	-	-	2004949(3)	2004950(3)
2004946-2	Standard	3.36	2006106-5	2016993	-	-	2004949(3)	2004950(3)

- (3) Contact Vehicle Manufacturer
- (7) See Ring Gear & Pinion Kits in XGI Catalog for ratio & tooth combinations.
- (8) See Differential Case Assy Kits in XGI Catalog for spline data & ratios.

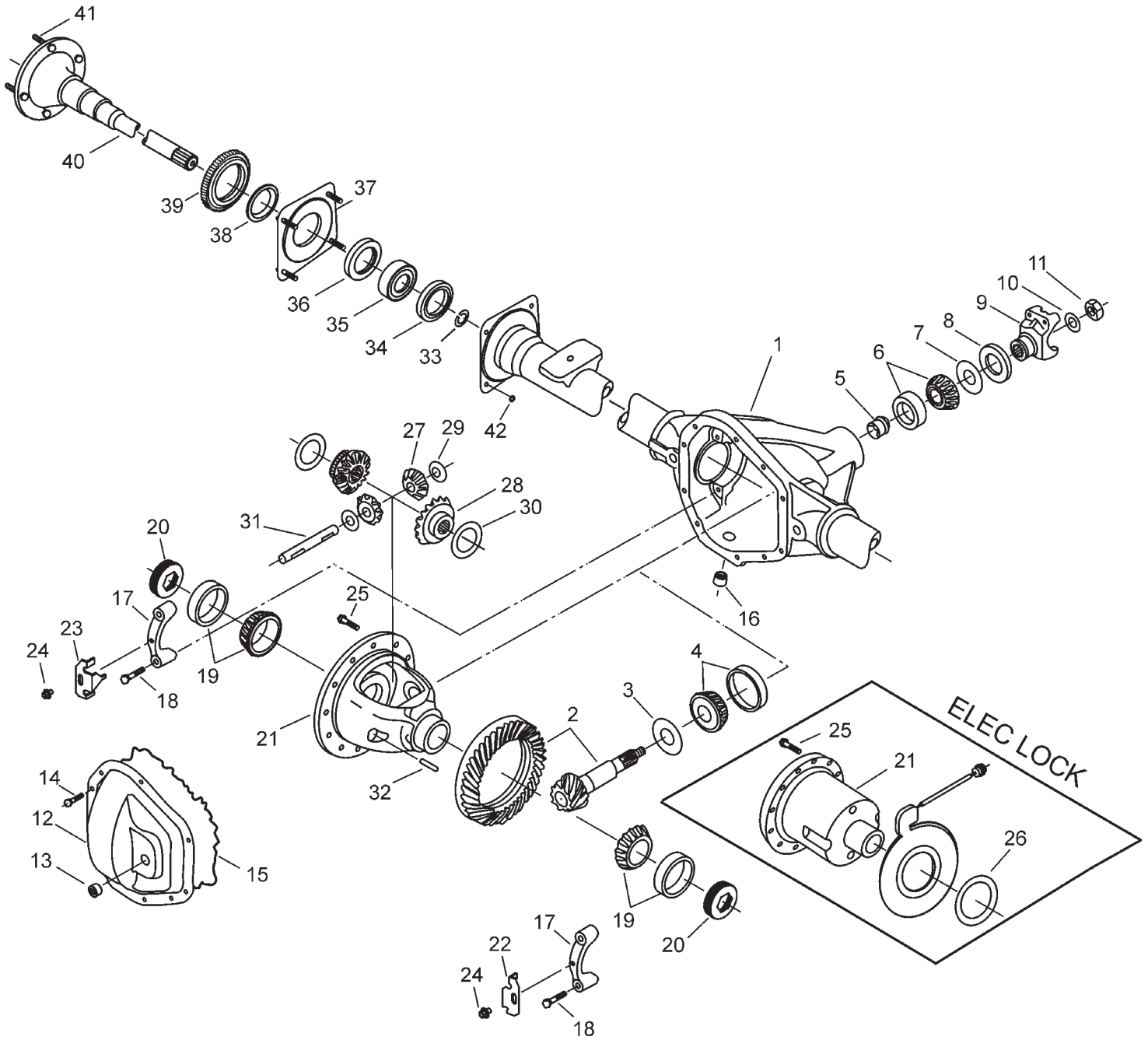
Variable Parts Listing

Kits & Parts - Use With All Applications						
	Description & Item Number (Refer to "Exploded View" at the front of this section)		Bills of Material			
			611192	2004946		
1	End Yoke/Companion Flange assy.	8	84783	2006103		
2	Adjuster - Diff Bearing - RH Tube	19	54016	2010597		
3	Gear - Differential (std)	23	52600	2002399		
4	Adjuster Assy.(inc. 33 & 34) LH	33	84778	2010599		

**Dana Super 44™ /226
Rear Axles for**

**Armada, Frontier, Pathfinder,
Titan, Xterra**

Dana Super 44™ /226 Rear Axle Exploded View



Dana Super 44™ /226 Rear Axle Parts Listing

ITEM NO.	PART NUMBER	DESCRIPTION	ITEM NO.	PART NUMBER	DESCRIPTION
1	-(3)	Housing - Axle Service	22	-(2)	Lock-Diff. Brg. Adjuster Ring-Right
2	-(1)	Drive Pinion & Gear Assembly	23	2004557	Lock-Diff. Brg. Adjuster Ring-Left
3	41214- (5)	Inner Pinion Shims	24	52784-1	Bolt-Diff Brg Adjuster Lock
4	706046X	KIT - Inner Pinion Bearing	25	2003431	Bolt - Drive gear
5	46925	Collapsible Spacer	26	-(4)	Washer-Solenoid
6	706123X	KIT - Outer Pinion Bearing	27	50474	Pinion - Differential(std)
7	49692	Thrustwasher	28	51570	Gear - Differential(std)
8	2004958(3)	Seal - Pinion Oil	29	46948	Thrustwasher - Diff. Pinion(std)
9	-(2)	End Yoke/Companion Flange Assy.	30	32121	Thrustwasher - Diff. Gear(std)
10	30275	Washer - Pinion Nut	31	53879	Shaft - Differential
11	30271	Pinion Nut	32	13449	Pin -Diff. Shaft Lock(std)
	-(2)	KIT - Carrier Cover (inc 12,13,14)	33	-(2)	Snap Ring - Wheel Brg. Retainer
12	-(2)	Carrier Cover	34	-(2)	Wheel Bearing Retainer
13	43180	Plug - Carrier Cover	35	-(2)	Wheel Bearing Assembly
14	-(2)	Bolt - Carrier Cover (qty 12)	36	-(2)	Seal - Outboard Shaft
15	38615	RTV Silicone Sealant	37	-(2)	Oil Seal Retainer
16	2001762	Plug - Drain	38	2007852	Seal Deflector
17	-(3)	Differential Bearing Cap	39	-(2)	Tone Ring (ABS Only)
18	48632-1	Bolt - Differential Bearing Cap	40	-(1)	Axle Shaft
19	2007293	KIT - Differential Bearing	41	55710	Bolt - Axle Shaft
20	52781	Diff. Brg. Adjuster Ring	42	-(2)	Nut - Brake Mounting
21	-(1)	Case - Differential (Elec Lok - Serviced only as an assembled unit)			

- (1) See "Bill of Material Table" on next page
(2) See "Variable Parts Table" within this section
(3) Contact Vehicle Manufacturer
(4) Not Sold Separately
(5) See shim table in the back of this catalog

Dana Super 44™ /226 Rear Axle Bill of Material Table

Axle			Axle Kits				Shaft & Joint Assy.	
Bill of Material	Diff. Type	Ratio	Ring Gear & Pinion Kit ⁽⁷⁾	Differential			Right Hand Shaft Assy.	Left Hand Shaft Assy.
				Case Assy. Kit ⁽⁸⁾	Case Kit	Inner Parts Kit		
2003-07 Armada, Pathfinder, Titan								
606742-5	Standard	2.94	2002551-5	2016948(3)	-	2016949(3)	2022452-1	2022452-1
606742-6	Standard	3.36	2002556-5	2016948(3)	-	2016949(3)	2022452-1	2022452-1
606886-3	Standard	2.94	2002551-5	2016948(3)	-	2016949(3)	2022452-1	2022452-1
606886-4	Standard	3.36	2002556-5	2016948(3)	-	2016949(3)	2022452-1	2022452-1
2004-08 Frontier								
606920-1	Standard	3.54	2002566-5	2016948(3)	-	2016949(3)	85605-1(3)	85605-1(3)
606920-2	Standard	3.69	2006272-5	2016948(3)	-	2016949(3)	85605-1(3)	85605-1(3)
606921-1	E/L	3.54	2002566-5	2016950	-	-	2022436-1	2022436-2
606921-2	E/L	3.69	2006272-5	2016950	-	-	2022436-1	2022436-2
606921-3	E/L	3.36	2002556-5	2016950	-	-	2022436-1	2022436-2
2004-06 Armada, Titan								
606900-3	E/L	3.36	2002556-5	2016950	-	-	2022435-1	2022435-2
606900-5	E/L	3.36	2002556-5	2016950	-	-	2022435-1	2022435-2
2005-06 Frontier								
2001290-1	E/L	3.13	2002561-5	2016950	-	-	2022436-1	2022436-2
2004796-1	Standard	3.54	2002566-5	2016948(3)	-	2016949(3)	85605-1(3)	85605-1(3)
2004796-2	Standard	3.69	2006272-5	2016948(3)	-	2016949(3)	85605-1(3)	85605-1(3)
2004798-1	E/L	3.69	2006272-5	2016950	-	-	2022436-1	2022436-2
2004798-2	E/L	3.36	2002556-5	2016950	-	-	2022436-1	2022436-2
2004799-1	E/L	3.13	2002561-5	2016950	-	-	2022436-1	2022436-2
2005102-1	E/L	3.69	2006272-5	2016950	-	-	2022436-1	2022436-2
2005102-2	E/L	3.36	2002556-5	2016950	-	-	2022436-1	2022436-2
2005103-1	E/L	3.13	2002561-5	2016950	-	-	2022436-1	2022436-2
2005-06 Frontier, Pathfinder, Xterra								
2001288-1	Standard	3.54	2002566-5	2016948(3)	-	2016949(3)	85605-1(3)	85605-1(3)
2004793-1	Standard	3.54	2002566-5	2016948(3)	-	2016949(3)	85605-1(3)	85605-1(3)
2005-06 Xterra								
606937-1	Standard	3.54	2002566-5	2016948(3)	-	2016949(3)	85605-1(3)	85605-1(3)
2001289-1	E/L	3.69	2006272-5	2016950	-	-	2022436-1	2022436-2
2001289-2	E/L	3.36	2002556-5	2016950	-	-	2022436-1	2022436-2
2004794-1	Standard	3.54	2002566-5	2016948(3)	-	2016949(3)	85605-1(3)	85605-1(3)
2004795-1	E/L	3.69	2006272-5	2016950	-	-	2022436-1	2022436-2
2004795-2	E/L	3.36	2002556-5	2016950	-	-	2022436-1	2022436-2
2005100-1	E/L	3.69	2006272-5	2016950	-	-	2022436-1	2022436-2
2005100-2	E/L	3.36	2002556-5	2016950	-	-	2022436-1	2022436-2
2005-12 Frontier								
2005101-1	Standard	3.54	2002566-5	2016948(3)	-	2016949(3)	85605-1(3)	85605-1(3)
2005101-2	Standard	3.69	2006272-5	2016948(3)	-	2016949(3)	85605-1(3)	85605-1(3)
2005-12 Xterra								
2005098-1	Standard	3.54	2002566-5	2016948(3)	-	2016949(3)	85605-1(3)	85605-1(3)
2005099-1	Standard	3.54	2002566-5	2016948(3)	-	2016949(3)	85605-1(3)	85605-1(3)

(3) Contact Vehicle Manufacturer

(7) See Ring Gear & Pinion Kits in XGI Catalog for ratio & tooth combinations.

(8) See Differential Case Assy Kits in XGI Catalog for spline data & ratios.

Dana Super 44™ /226 Rear Axle Bill of Material Table

Axle			Axle Kits				Shaft & Joint Assy.	
Bill of Material	Diff. Type	Ratio	Ring Gear & Pinion Kit ⁽⁷⁾	Differential			Right Hand Shaft Assy.	Left Hand Shaft Assy.
				Case Assy. Kit ⁽⁸⁾	Case Kit	Inner Parts Kit		
2006-08 Armada, Titan								
2006638-1	E/L	3.36	2002556-5	2016950	-	-	2022435-1	2022435-2
2006-11 Frontier								
2006756-2	E/L	3.13	2002561-5	2006736	-	-	2022436-1	2022436-2
2006-12 Frontier								
2006609-1	Standard	3.54	2002566-5	2016948(3)	-	2016949(3)	85605-1(3)	85605-1(3)
2006617-1	Standard	3.69	2006272-5	2016948(3)	-	2016949(3)	85605-1(3)	85605-1(3)
2006755-1	E/L	3.69	2006272-5	2016950	-	-	2022436-1	2022436-2
2006755-3	E/L	3.36	2002556-5	2016950	-	-	2022436-1	2022436-2
2006756-1	E/L	3.13	2002561-5	2016950	-	-	2022436-1	2022436-2
2006-12 Xterra								
2006754-1	E/L	3.69	2006272-5	2016950	-	-	2022436-1	2022436-2
2006754-3	E/L	3.36	2002556-5	2016950	-	-	2022436-1	2022436-2
2007-12 Titan								
2005295-1	Standard	2.94	2002551-5	2016948(3)	-	2016949(3)	2005994-1	2005994-1
2005295-2	Standard	3.36	2002556-5	2016948(3)	-	2016949(3)	2005994-1	2005994-1
2005296-1	Standard	2.94	2002551-5	2016948(3)	-	2016949(3)	2005994-1	2005994-1
2005296-2	Standard	3.36	2002556-5	2016948(3)	-	2016949(3)	2005994-1	2005994-1
2005297-1	E/L	3.36	2002556-5	2016950	-	-	2006070-1	2006070-2
2006257-1	Standard	2.94	2002551-5	2016948(3)	-	2016949(3)	2005994-1	2005994-1
2006257-2	Standard	3.36	2002556-5	2016948(3)	-	2016949(3)	2005994-1	2005994-1
2006258-1	Standard	2.94	2002551-5	2016948(3)	-	2016949(3)	2005994-1	2005994-1
2006258-2	Standard	3.36	2002556-5	2016948(3)	-	2016949(3)	2005994-1	2005994-1
2006259-1	E/L	3.36	2002556-5	2016950	-	-	2006070-1	2006070-2

(3) Contact Vehicle Manufacturer

(7) See Ring Gear & Pinion Kits in XGI Catalog for ratio & tooth combinations.

(8) See Differential Case Assy Kits in XGI Catalog for spline data & ratios.

(9) Serviced with complete differential case assembly kit only.

Dana Super 44™ /226 Rear Axle Variable Parts Listing

Kits & Parts - Use With All Applications							
Description & Item Number (Refer to "Exploded View" at the front of this section)			Bills of Material				
			2001288	2001289	2001290	2004793	2004794
1	End Yoke/Companion Flange Assy.	9	2006269	2006270(3)	2006270(3)	2006269	2006270(3)
2	KIT - Carrier Cover (inc 12,13,14)	-	2016953	2016953	2016952	2016953	2016953
3	Carrier Cover	12	85637(3)	85637(3)	85641(3)	85637(3)	85637(3)
4	Bolt - Carrier Cover (qty 12)	14	34279	34279	34279	34279	34279
5	Lock-Diff. Brg. Adjuster Ring-Right	22	2004557	2004202	2004202	2004557	2004557
6	Snap Ring - Wheel Brg. Retainer	33	44913	44913	44913	44913	44913
7	Wheel Bearing Retainer	34	36797	36797	36797	36797	36797
8	Wheel Bearing Assembly	35	565903	565903	565903	565903	565903
9	Seal - Outboard Shaft	36	52765	52765	52765	52765	52765
10	Oil Seal Retainer	37	85604(3)	85604(3)	85604(3)	85604(3)	85604(3)
11	Tone Ring (ABS Only)	39	2001331	2001331	2001331	2001331	2001331
12	Nut - Brake Mounting	42	43031	43031	43031	43031	43031
			2004795	2004796	2004798	2004799	2005098
1	End Yoke/Companion Flange Assy.	9	2006270(3)	2006270(3)	2006269	2006270(3)	2006269
2	KIT - Carrier Cover (inc 12,13,14)	-	2016953	2016952	2016952	2016952	2016953
3	Carrier Cover	12	85637(3)	85641(3)	85641(3)	85641(3)	85637(3)
4	Bolt - Carrier Cover (qty 12)	14	34279	34279	34279	34279	34279
5	Lock-Diff. Brg. Adjuster Ring-Right	22	2004202	2004557	2004202	2004202	2004557
6	Snap Ring - Wheel Brg. Retainer	33	44913	44913	44913	44913	44913
7	Wheel Bearing Retainer	34	36797	36797	36797	36797	36797
8	Wheel Bearing Assembly	35	565903	565903	565903	565903	565903
9	Seal - Outboard Shaft	36	52765	52765	52765	52765	52765
10	Oil Seal Retainer	37	85604(3)	85604(3)	85604(3)	85604(3)	85604(3)
11	Tone Ring (ABS Only)	39	2001331	2001331	2001331	2001331	2001331
12	Nut - Brake Mounting	42	43031	43031	43031	43031	43031
			2005099	2005100	2005101	2005102	2005103
1	End Yoke/Companion Flange Assy.	9	2006270(3)	2006270(3)	2006270(3)	2006269	2006270(3)
2	KIT - Carrier Cover (inc 12,13,14)	-	2016953	2016953	2016952	2016952	2016952
3	Carrier Cover	12	85637(3)	85637(3)	85641(3)	85641(3)	85641(3)
4	Bolt - Carrier Cover (qty 12)	14	34279	34279	34279	34279	34279
5	Lock-Diff. Brg. Adjuster Ring-Right	22	2004557	2004202	2004557	2004202	2004202
6	Snap Ring - Wheel Brg. Retainer	33	44913	44913	44913	44913	44913
7	Wheel Bearing Retainer	34	36797	36797	36797	36797	36797
8	Wheel Bearing Assembly	35	565903	565903	565903	565903	565903
9	Seal - Outboard Shaft	36	52765	52765	52765	52765	52765
10	Oil Seal Retainer	37	85604(3)	85604(3)	85604(3)	85604(3)	85604(3)
11	Tone Ring (ABS Only)	39	2001331	2001331	2001331	2001331	2001331
12	Nut - Brake Mounting	42	43031	43031	43031	43031	43031

(3) Contact Vehicle Manufacturer

Dana Super 44™ /226 Rear Axle Variable Parts Listing

Kits & Parts - Use With All Applications							
Description & Item Number (Refer to "Exploded View" at the front of this section)			Bills of Material				
			2005295	2005296	2005297	2006257	2006258
1	End Yoke/Companion Flange Assy.	9	2006269	2006269	2006269	2006269	2006269
2	KIT - Carrier Cover (inc 12,13,14)	-	2003409	2003409	2003409	2003409	2003409
3	Carrier Cover	12	2003331	2003331	2003331	2003331	2003331
4	Bolt - Carrier Cover (qty 12)	14	2003803-1(3)	2003803-1(3)	2003803-1(3)	2003803-1(3)	2003803-1(3)
5	Lock-Diff. Brg. Adjuster Ring-Right	22	2004557	2004557	2004202	2004557	2004557
6	Snap Ring - Wheel Brg. Retainer	33	48289	48289	48289	48289	48289
7	Wheel Bearing Retainer	34	35961	35961	35961	35961	35961
8	Wheel Bearing Assembly	35	565904	565904	565904	565904	565904
9	Seal - Outboard Shaft	36	2006568	2006568	2006568	2006568	2006568
10	Oil Seal Retainer	37	2005937	2005937	2005937	2005937	2005937
11	Tone Ring (ABS Only)	39	2005911	2005911	2005911	2005911	2005911
12	Nut - Brake Mounting	42	53492	53492	53492	53492	53492
			2006259	2006609	2006617	2006638	2006754
1	End Yoke/Companion Flange Assy.	9	2006269	2006269	2006270(3)	2006269	2006270(3)
2	KIT - Carrier Cover (inc 12,13,14)	-	2003409	2016952	2016952	2003409	2016953
3	Carrier Cover	12	2003331	85641(3)	85641(3)	2003331	85637(3)
4	Bolt - Carrier Cover (qty 12)	14	2003803-1(3)	34279	34279	2003803-1(3)	34279
5	Lock-Diff. Brg. Adjuster Ring-Right	22	2004202	2004557	2004557	2004202	2004202
6	Snap Ring - Wheel Brg. Retainer	33	48289	44913	44913	44913	44913
7	Wheel Bearing Retainer	34	35961	36797	36797	36797	36797
8	Wheel Bearing Assembly	35	565904	565903	565903	565903	565903
9	Seal - Outboard Shaft	36	2006568	52765	52765	52765	52765
10	Oil Seal Retainer	37	2005937	85604(3)	85604(3)	84788(3)	85604(3)
11	Tone Ring (ABS Only)	39	2005911	2001331	2001331	55466	2001331
12	Nut - Brake Mounting	42	53492	43031	43031	53492	43031
			2006755	2006756	606742	606886	606900
1	End Yoke/Companion Flange Assy.	9	2006269	2006269	2006269	2006269	2006269
2	KIT - Carrier Cover (inc 12,13,14)	-	2016952	2016952	2003409	2003409	2003409
3	Carrier Cover	12	85641(3)	85641(3)	2003331	2003331	2003331
4	Bolt - Carrier Cover (qty 12)	14	34279	34279	2003803-1(3)	2003803-1(3)	2003803-1(3)
5	Lock-Diff. Brg. Adjuster Ring-Right	22	2004202	2004202	2004557	2004557	2004202
6	Snap Ring - Wheel Brg. Retainer	33	44913	44913	44913	44913	44913
7	Wheel Bearing Retainer	34	36797	36797	36797	36797	36797
8	Wheel Bearing Assembly	35	565903	565903	565903	565903	565903
9	Seal - Outboard Shaft	36	52765	52765	52765	52765	52765
10	Oil Seal Retainer	37	85604(3)	85604(3)	84788(3)	84788(3)	84788(3)
11	Tone Ring (ABS Only)	39	2001331	2001331	55466	55466	55466
12	Nut - Brake Mounting	42	43031	43031	53492	53492	53492

(3) Contact Vehicle Manufacturer

Dana Super 44™ /226 Rear Axle Variable Parts Listing

Kits & Parts - Use With All Applications						
Description & Item Number (Refer to "Exploded View" at the front of this section)			Bills of Material			
			606920	606921	606937	
1	End Yoke/Companion Flange Assy.	9	2006269	2006269	2006270(3)	
2	KIT - Carrier Cover (inc 12,13,14)	-	2016952	2016952	2016953	
3	Carrier Cover	12	85641(3)	85641(3)	85637(3)	
4	Bolt - Carrier Cover (qty 12)	14	34279	34279	34279	
5	Lock-Diff. Brg. Adjuster Ring-Right	22	2004557	2004202	2004557	
6	Snap Ring - Wheel Brg. Retainer	33	44913	44913	44913	
7	Wheel Bearing Retainer	34	36797	36797	36797	
8	Wheel Bearing Assembly	35	565903	565903	565903	
9	Seal - Outboard Shaft	36	52765	52765	52765	
10	Oil Seal Retainer	37	85604(3)	85604(3)	85604(3)	
11	Tone Ring (ABS Only)	39	2001331	2001331	2001331	
12	Nut - Brake Mounting	42	43031	43031	43031	

(3) Contact Vehicle Manufacturer

Bearing Adjustment Shims

Part Number	Thickness	
	MM	Inch
41214-1 ⁽¹⁾	0.76	.030
41214-2 ⁽¹⁾	0.079	.031
41214-3 ⁽¹⁾	0.081	.032
41214-4 ⁽¹⁾	0.084	.033
41214-5 ⁽¹⁾	0.086	.034
41214-6 ⁽²⁾⁽³⁾	0.89	.035
41214-7 ⁽²⁾⁽³⁾⁽⁴⁾	0.91	.036
41214-8 ⁽²⁾⁽³⁾	0.94	.037
41214-9 ⁽²⁾⁽³⁾⁽⁴⁾	0.97	.038
41214-10 ⁽²⁾⁽³⁾	0.99	.039
41214-11 ⁽³⁾⁽⁴⁾⁽⁵⁾⁽⁶⁾	1.02	.040
41214-12 ⁽³⁾⁽⁵⁾	1.04	.041
41214-13 ⁽³⁾⁽⁴⁾⁽⁵⁾⁽⁶⁾	1.07	.042
41214-14 ⁽³⁾⁽⁵⁾	1.09	.043
41214-15 ⁽³⁾⁽⁴⁾⁽⁵⁾⁽⁶⁾	1.12	.044
41214-16 ⁽³⁾⁽⁷⁾	1.14	.045
41214-17 ⁽³⁾⁽⁴⁾⁽⁶⁾⁽⁷⁾	1.17	.046
41214-18 ⁽³⁾⁽⁷⁾	1.19	.047
41214-19 ⁽³⁾⁽⁴⁾⁽⁶⁾⁽⁷⁾	1.22	.048
41214-20 ⁽³⁾⁽⁷⁾	1.24	.049
41214-21 ⁽³⁾⁽⁴⁾⁽⁶⁾⁽⁸⁾	1.27	.050
41214-22 ⁽³⁾⁽⁸⁾	1.30	.051
41214-23 ⁽³⁾⁽⁴⁾⁽⁶⁾⁽⁸⁾	1.32	.052
41214-24 ⁽³⁾⁽⁸⁾	1.35	.053
41214-25 ⁽³⁾⁽⁴⁾⁽⁶⁾⁽⁸⁾	1.37	.054
41214-26	1.40	.055
41214-27 ⁽⁴⁾	1.42	.056

- ⁽¹⁾ Included in 72922-1X
⁽²⁾ Included in 72922-2X
⁽³⁾ Included in 702010
⁽⁴⁾ Included in 701140-1X
⁽⁵⁾ Included in 72922-3X
⁽⁶⁾ Included in 701140X
⁽⁷⁾ Included in 72922-4X
⁽⁸⁾ Included in 72922-5X

Part Number	Thickness	
	MM	Inch
50161-122 ⁽⁹⁾	1.22	.048
50161-124 ⁽⁹⁾	1.24	.049
50161-127 ⁽⁹⁾	1.27	.050
50161-130 ⁽⁹⁾	1.30	.051
50161-132 ⁽⁹⁾	1.32	.052
50161-135 ⁽¹⁰⁾	1.35	.053
50161-137 ⁽¹⁰⁾	1.37	.054
50161-140 ⁽¹⁰⁾	1.40	.055
50161-142 ⁽¹⁰⁾	1.42	.056
50161-145 ⁽¹⁰⁾	1.45	.057
50161-147 ⁽¹¹⁾	1.47	.058
50161-150 ⁽¹¹⁾	1.50	.059
50161-152 ⁽¹¹⁾	1.52	.060
50161-155 ⁽¹¹⁾	1.55	.061
50161-157 ⁽¹¹⁾	1.57	.062
50161-160 ⁽¹²⁾	1.60	.063
50161-163 ⁽¹²⁾	1.63	.064
50161-165 ⁽¹²⁾	1.65	.065
50161-168 ⁽¹²⁾	1.68	.066
50161-170 ⁽¹²⁾	1.70	.067
50161-173 ⁽¹³⁾	1.73	.068
50161-175 ⁽¹³⁾	1.75	.069
50161-178 ⁽¹³⁾	1.78	.070
50161-180 ⁽¹³⁾	1.80	.071
50161-183 ⁽¹³⁾	1.83	.072

- ⁽⁹⁾ Included in 2001369-1
⁽¹⁰⁾ Included in 2001369-2
⁽¹¹⁾ Included in 2001369-3
⁽¹²⁾ Included in 2001369-4
⁽¹³⁾ Included in 2001369-5

NOTES

Dana Aftermarket Group

PO Box 321
Toledo, Ohio 43697-0321

Warehouse Distributors: 1.800.621.8084
OE Dealers: 1.877.777.5360

www.SpicerParts.com

SPICER[®]



X510-10-42013 Printed in U.S.A.
Copyright Dana Limited, 2012.
All rights reserved. Dana Limited.

