

SPICER®



J300P-6

April 2006

Supersedes J300P-6
Dated September 2004

Driveline Components Catalog Tubing & Tube Yoke Assemblies

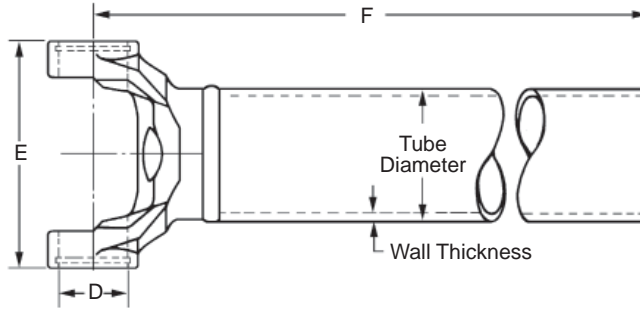


Snap ring construction, bearing plate style, straight tubing, and more,
all built to the original equipment specifications of Dana.



Product pictured is intended to be a representation of product category.

TUBE & YOKE ASSEMBLIES
Snap Ring Construction



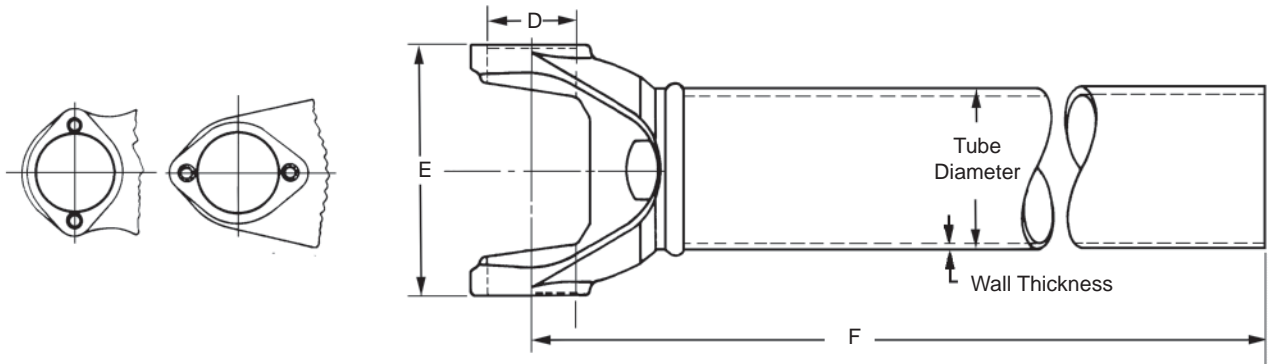
Tube Out- side Diameter	Wall Thickness	Tubing Base Part Number	Tube Length	F	Tube Yoke Part Number	Spicer Part Number
				Centerline to End of Tube		
1310 SERIES						
		E-3.469	D-1.062	USE KITS 5-153X, 5-785X		
2.000	.083-W	16-30-62	47.750	49.438	2-28-357	2-27-7-4724
2.500	.083-W	20-30-22	60.531	62.375	2-28-367	2-27-9-6017
3.000	.083-W	24-30-42	60.000	61.688	2-28-437	2-27-24-6000
1330 SERIES						
		E-3-625	D-1.062	USE KIT 5-213X, 5-790X		
3.000	.065-W	24-30-32	48.000	41.719	2-28-1177	2-27-29-4800 [■]
1350 SERIES						
		E-3.875	D-1.188	USE KIT 5-178X, 5-799X		
3.000	.083-W	24-30-42	64.000	66.000	3-28-57	3-27-2-6400
3.500	.065-W	28-30-42	72.000	73.688	3-28-257	3-27-5-7200
1480 SERIES						
		E-4.438	D-1.375	USE KIT 5-188X, 5-803X		
3.500	.083-W	28-30-62	61.312	63.344	3-28-537	3-27-22-6110

• Part is discontinued ■ Part is available until supply is exhausted ▲ Not sold separately



TUBE & YOKE ASSEMBLIES

Bearing Plate Style



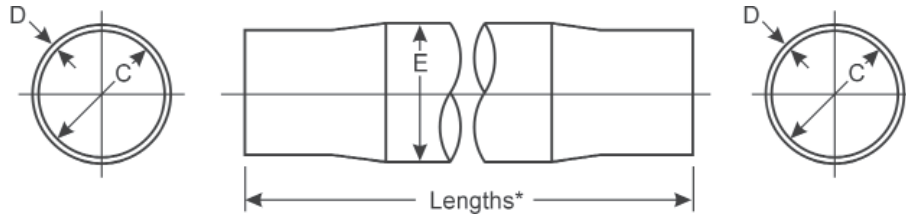
Tube Out-side Diameter	Wall Thickness	Tubing Base Part Number	Tube Length	F	Tube Yoke Part Number	Spicer Part Number
				Centerline to End of Tube		
1610 SERIES		E-5.312	D-1.875	USE KIT 5-279X, 5-674X		
3.500	.134-W	28-30-92	40.000	43.000	5-28-627	5-27-25-4000•
1710 SERIES		E-6.094	D-1.938	USE KIT 5-280X, 5-675X		
4.000	.134-W	32-30-52	60.000	63.031	6-28-347	6-27-17-6000
4.000	.134-W	32-30-52	71.969	75.000	6-28-347	6-27-17-7131
4.095	.180-W	32-30-72	57.000	60.031	6-28-347	6-27-21-5700
1760 SERIES		E-7.000	D-1.938	USE KIT 5-407X, 5-677X		
4.090	.180-W	32-30-72	60.000	63.013	6.3-28-17	6.3-27-3-6000
1810 SERIES		E-7.547	D-1.938	USE KITS 5-281X, 5-676X		
4.500	.134-W	36-30-62	60.000	63.375	6.5-28-117	6.5-27-9-6000

• Part is discontinued ■ Part is available until supply is exhausted ▲ Not sold separately



Important: See Safety Information in General Information Section (J300P-GI)

ALUMINUM TUBING Swaged Both Ends



NOTE: The part numbering system includes tube length in the last set of numbers, with the last two digits as the number of 1/32 of an inch. Part numberings ending with "M" are measured in millimeters.

Example: -6025 is a 60 ²⁵/₃₂" long tube, -1862M is a 1862mm long tube

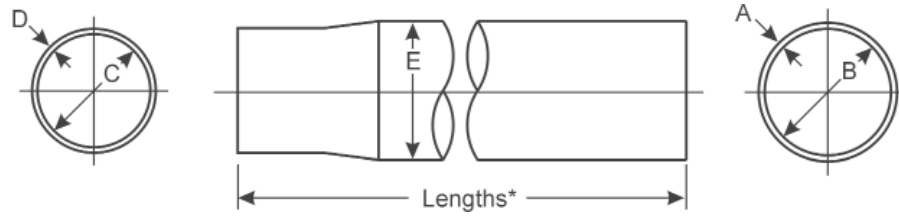
* Tubing size 3.9800 x .0750 uses the same aluminum tube yoke as 4.000 x .083 wall tubing.
Tubing size 5.0200 x .0750 uses the same aluminum tube yoke as 5.000 x .065 wall tubing.
Tubing size 5.0600 x .0920 uses the same aluminum tube yoke as 5.000 x .065 wall tubing.

B Wall Thickness	S=Seamless W=Welded D=D.O.M.-Drawn Over Mandrel	Inside Diameter (Nominal)	Part Number
4.1600 OUTSIDE DIAMETER E=5.020			
.860	S	3.983	212014X-5809• <i>Has foam deadener</i>
.860	S	3.983	212014X-5903• <i>Has foam deadener</i>
.860	S	3.893	212014X-6015• <i>Has foam deadener</i>
.860	S	3.983	212014X-6025• <i>Has foam deadener</i>
.860	S	3.983	212024X-5929▲ <i>Has foam deadener</i>
5.060 OUTSIDE DIAMETER E=5.775*			
.920	S	4.873	212218X-1771M▲ <i>1771mm tube length; Has foam deadener</i>
.920	S	4.873	212218X-1862M <i>1862mm tube length; Has foam deadener</i>
.920	S	4.873	212218X-6820• <i>Has foam deadener</i>
.920	S	4.873	212218X-6924• <i>Has foam deadener</i>

• Part is discontinued ■ Part is available until supply is exhausted ▲ Not sold separately



ALUMINUM TUBING Swaged One End



NOTE: The part numbering system includes tube length in the last set of numbers, with the last two digits as the number of 1/32 of an inch. Part numberings ending with "M" are measured in millimeters.

Example: -6411 is a 64 ¹¹/₃₂" long tube

* Tubing size 3.9800 x .0750 uses the same aluminum tube yoke as 4.000 x .083 wall tubing.
 Tubing size 5.0200 x .0750 uses the same aluminum tube yoke as 5.000 x .065 wall tubing.
 Tubing size 5.0600 x .0920 uses the same aluminum tube yoke as 5.000 x .065 wall tubing.

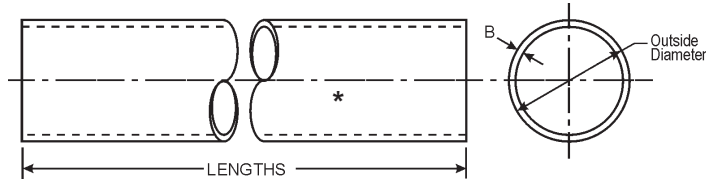
Wall Thickness		S=Seamless W=Welded D=D.O.M.-Drawn Over Mandrel	Inside Diameter (Nominal)		Part Number
D	B		Small ID	Large ID	
4.1600 OUTSIDE DIAMETER E=5.020					
.860	.750	S	3.983	4.873	212013X-6405 [▲] <i>Has foam deadener</i>
.860	.750	S	3.983	4.873	212013X-6826 <i>Has foam deadener</i>
.860	.750	S	3.983	4.873	212013X-6804 • <i>Has foam deadener</i>
.860	.750	S	3.983	4.873	212013X-6519 • <i>Has foam deadener</i>
.860	.750	S	3.983	4.873	212013X-6509 [▲] <i>Has foam deadener</i>
.860	.750	S	3.983	4.873	212013X-6431 • <i>Has foam deadener</i>
.860	.750	S	3.983	4.873	212013X-6005 [▲] <i>Has foam deadener</i>
.860	.750	S	3.983	4.873	212013X-5920 [▲] <i>Has foam deadener</i>

• Part is discontinued ■ Part is available until supply is exhausted [▲] Not sold separately



Important: See Safety Information in General Information Section (J300P-GI)

ALUMINUM TUBING Straight Tube



NOTE: The part numbering system includes tube length in the last set of numbers, with the last two digits as the number of 1/32 of an inch. Part numberings ending with "M" are measured in millimeters.

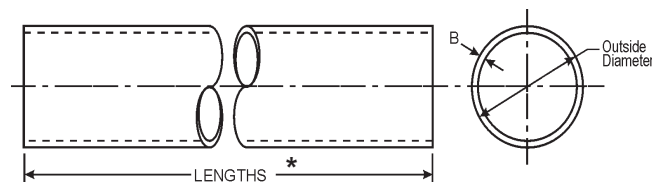
Example: -1216 is a 12 ¹⁶/₃₂" long tube, -1607M is a 1607mm long tube

* Tubing size 3.9800 x .0750 uses the same aluminum tube yoke as 4.000 x .083 wall tubing.
 Tubing size 5.0200 x .0750 uses the same aluminum tube yoke as 5.000 x .065 wall tubing.
 Tubing size 5.0600 x .0920 uses the same aluminum tube yoke as 5.000 x .065 wall tubing.

B Wall Thickness	S=Seamless W=Welded D=D.O.M.-Drawn Over Mandrel	Inside Diameter (Nominal)	Part Number
3.500 OUTSIDE DIAMETER			
.120	S	3.266	28-38-12-1216•
3.980 OUTSIDE DIAMETER			
.075	S	3.836	212247X-1607M• <i>1607mm tube length</i>
.075	S	3.836	212247X-1643M▲ <i>1643mm tube length</i>
.075	S	3.836	212247X-1632M• <i>1632mm tube length</i>
.075	S	3.980	212247X-1580M• <i>1580mm tube length</i>
5.020 OUTSIDE DIAMETER			
.075	S	4.873	212009X-1937M <i>1937mm tube length</i>
.075	S	4.873	212247X-1742M▲ <i>1742mm tube length</i>
.075	S	4.873	212009X-6129• <i>Has foam deadener</i>
.075	S	4.873	212009X-5903• <i>Has foam deadener</i>
.075	S	4.873	212009X-1742M <i>1742mm tube length</i>

• Part is discontinued ■ Part is available until supply is exhausted ▲ Not sold separately





* NOTE: The part numbering system includes tube length in the last set of numbers, with the last two digits as the number of 1/32 of an inch.

Example: -7400 is a 74" long tube, -4724 is a 47 ²⁴/₃₂" long tube, -10000 is a 100" long tube

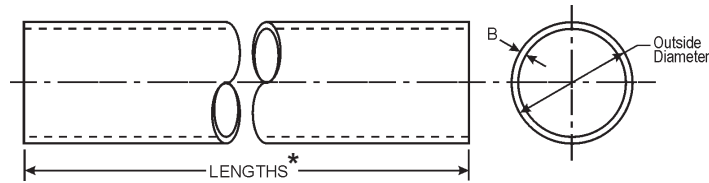
B Wall Thickness	S=Seamless W=Welded D=D.O.M.-Drawn Over Mandrel	Inside Diameter (Nominal)	Gauge	Part Number
1.250 Outside Diameter				
.095	W	1.060	13	10-30-42-10000
.120	S	1.010	11	10-32-92-10000
.188	S	.875	7	10-32-72-10000
1.750 Outside Diameter				
.065	W	1.620	16	14-30-12-10000
.065	W	1.620	16	14-30-12-5400
.095	W	1.560	13	14-30-62-10000
.095	W	1.560	13	14-30-62-7400
2.000 Outside Diameter				
.065	W	1.870	16	16-30-32-10000
.083	D	1.834		DT16-30-62 <i>108" long</i>
.083	W	1.834	14	16-30-62-10000
.083	W	1.834	14	16-30-62-5400
.083	W	1.834	14	16-30-62-7400
.120	D	1.760	11	DT16-30-102 <i>108" long</i>
.120	W	1.760	11	16-30-102-10000
2.500 Outside Diameter				
.065	W	2.370	16	20-30-12-10000
.065	W	2.370	16	20-30-12-5400
.065	W	2.370	16	20-30-12-7400
.083	D	2.334		DT20-30-22 <i>108" long</i>
.083	W	2.334	14	20-30-22-10000
.083	W	2.334	14	20-30-22-7400
.095	W	2.310	13	20-30-52-10000
.095	W	2.310	13	20-30-52-5400
2.750 Outside Diameter				
.065	D	2.620		DT22-30-12 <i>108" long</i>
.065	W	2.620	16	22-30-12-10000
.065	W	2.620	16	22-30-12-7400
.083	W	2.584	14	22-30-22-10000
3.000 Outside Diameter				
.065	D	2.870		DT24-30-32 <i>108" long</i>
.065	W	2.870	16	24-30-32-10000
.065	W	2.870	16	24-30-32-7400
.083	D	2.834		DT24-30-42 <i>108" long</i>

Continued on next page

• Part is discontinued ■ Part is available until supply is exhausted ▲ Not sold separately



Important: See Safety Information in General Information Section (J300P-GI)



*NOTE: The part numbering system includes tube length in the last set of numbers, with the last two digits as the number of 1/32 of an inch.

Example: -7400 is a 74" long tube, -4724 is a 47 ²⁴/₃₂" long tube, -10000 is a 100" long tube

B Wall Thickness	S=Seamless W=Welded D=D.O.M.-Drawn Over Mandrel	Inside Diameter (Nominal)	Gauge	Part Number
3.000 Outside Diameter (Continued)				
.083	W	2.834	14	24-30-42-10000
.083	W	2.834	14	24-30-42-7400
.095	W	2.810	13	24-30-12-10000
.095	W	2.810	13	24-30-12-7400
.120	S	2.760	11	24-32-142-10000
.134	W	2.732	10	24-30-72-10000
.134	W	2.732	10	24-30-72-7400
3.500 Outside Diameter				
.065	D	3.370		DT28-30-42 <i>108" long</i>
.065	W	3.370	16	28-30-42-10000
.065	W	3.370	16	28-30-42-7400
.083	D	3.334		DT28-30-62 <i>108" long</i>
.083	W	3.334	14	28-30-62-10000
.083	W	3.334	14	28-30-62-7400
.095	D	3.310		DT28-30-22 <i>108" long</i>
.095	W	3.310	13	28-30-22-10000
.095	W	3.310	13	28-30-22-7400
.134	D	3.232		DT28-30-92 <i>108" long</i>
.134	W	3.232	10	28-30-92-10000
.134	W	3.232	10	28-30-92-7400
.156	D	3.188		DT28-30-52 <i>108" long</i>
.156	W	3.188	9	28-30-52-10000
.156	W	3.188	9	28-30-52-7400
3.550 Outside Diameter				
.207	D	3.136	6	28-30-122-10000
.207	D	3.136	6	28-30-122-6800
4.000 Outside Diameter				
.065	D	3.870		DT143T <i>72 inches long</i>
.083	D	3.834		DT32-30-22 <i>108" long</i>
.083	S	3.836		32-38-12-1640M <i>Aluminum Tube; 64-18/32" Length</i>
.083	S	3.836		5005665-1526M <i>Aluminum tube: 60-3/32" Length</i>
.083	W	3.834	14	32-30-22-10000
.083	W	3.834	14	32-30-22-7400
.095	W	3.810	13	32-30-12-10000

• Part is discontinued ■ Part is available until supply is exhausted ▲ Not sold separately



B Wall Thickness	S=Seamless W=Welded D=D.O.M.-Drawn Over Mandrel	Inside Diameter (Nominal)	Gauge	Part Number
4.000 Outside Diameter (Continued)				
.095	W	3.810	13	32-30-12-7400
.120	W	3.760	11	32-30-42-7400•
.134	D	3.732	13	32-30-92-10000
.134	D	3.732	13	32-30-92-7300
.134	W	3.732	10	32-30-52-10000
.134	W	3.732	10	32-30-52-7400
4.095 Outside Diameter				
.180	D	3.735	7	32-30-72-10000
.180	D	3.735	7	32-30-72-7300
4.160 Outside Diameter				
.086	S	3.983		4032-38-32 ▲
4.213 Outside Diameter				
.138	D	3.937		100-30-3-10000
.138	D	3.937		100-30-3-7300
4.331 Outside Diameter				
.197	D	3.937		100-30-5-10000
.197	D	3.937		100-30-5-7300
4.500 Outside Diameter				
.134	D	4.232	10	36-30-62-10000
.134	D	4.232	10	36-30-62-7300
.259	D	3.982	3	36-30-22-10000
.259	D	3.982	3	36-30-22-7300
4.594 Outside Diameter				
.180	W	4.234	7	36-30-102-10000
.180	W	4.234	7	36-30-102-7300
4.724 Outside Diameter				
.197	D	4.330		110-30-5-10000
.197	D	4.330		110-30-5-7300
4.960 Outside Diameter				
.118	D	4.724		120-30-3-10000
.118	D	4.724		120-30-3-7300
5.059 Outside Diameter				
.167	D	4.724		120-30-4-10000
.167	D	4.724		120-30-4-7300
5.118 Outside Diameter				
.197	D	4.724		120-30-5-10000
.197	D	4.724		120-30-5-7300
5.196 Outside Diameter				
.236	D	4.724		120-30-6-10000
.236	D	4.724		120-30-6-7300

• Part is discontinued ■ Part is available until supply is exhausted ▲ Not sold separately



Important: See Safety Information in General Information Section (J300P-GI)

2-27-24-6000 2	20-30-52-10000 7	32-30-92-10000 9
2-27-29-4800 2	20-30-52-5400 7	32-30-92-7300 9
2-27-7-4724 2	22-30-12-10000 7	32-38-12-1640M 8
2-27-9-6017 2	22-30-12-7400 7	36-30-102-10000 9
2-28-1177 2	22-30-22-10000 7	36-30-102-7300 9
2-28-357 2	24-30-12-10000 8	36-30-22-10000 9
2-28-367 2	24-30-12-7400 8	36-30-22-7300 9
2-28-437 2	24-30-32 2	36-30-62 3
3-27-22-6110 2	24-30-32-10000 7	36-30-62-10000 9
3-27-2-6400 2	24-30-32-7400 7	36-30-62-7300 9
3-27-5-7200 2	24-30-42 2	4032-38-32 9
3-28-57 2	24-30-42 2	100-30-3-10000 9
3-28-257 2	24-30-42-10000 7	100-30-3-7300 9
3-28-537 2	24-30-42-7400 8	100-30-5-10000 9
5-27-25-4000 3	24-30-72-10000 8	100-30-5-7300 9
5-28-627 3	24-30-72-7400 8	
6.3-27-3-6000 3	24-32-142-10000 8	
6.3-28-17 3	28-30-122-10000 8	
6.5-27-9-6000 3	28-30-122-6800 8	
6.5-28-117 3	28-30-22-10000 8	
6-27-17-6000 3	28-30-22-7400 8	
6-27-17-7131 3	28-30-42 2	
6-27-21-5700 3	28-30-42-10000 8	
6-28-347 3	28-30-42-7400 8	
6-28-347 3	28-30-52-10000 8	
6-28-347 3	28-30-52-7400 8	
10-30-42-10000 7	28-30-62 2	
10-32-72-10000 7	28-30-62-10000 8	
10-32-92-10000 7	28-30-62-7400 8	
14-30-12-10000 7	28-30-92 3	
14-30-12-5400 7	28-30-92-10000 8	
14-30-62-10000 7	28-30-92-7400 8	
14-30-62-7400 7	28-38-12-1216 6	
16-30-102-10000 7	32-30-12-10000 9	
16-30-32-10000 7	32-30-12-7400 9	
16-30-62 2	32-30-22-10000 8	
16-30-62-10000 7	32-30-22-7400 9	
16-30-62-5400 7	32-30-42-7400 9	
16-30-62-7400 7	32-30-52 3	
20-30-12-10000 7	32-30-52 3	
20-30-12-5400 7	32-30-52-10000 9	
20-30-12-7400 7	32-30-52-7400 9	
20-30-22 2	32-30-72 3	
20-30-22-10000 7	32-30-72 3	
20-30-22-7400 7	32-30-72-10000 9	
	32-30-72-7300 9	

• Part is discontinued ■ Part is available until supply is exhausted ▲ Not sold separately



Dana Corporation strives to publish catalogs that are as accurate and user-friendly as possible. Continuous improvement is our ongoing mission. Therefore, we welcome any and all of our customers' comments. Please forward your comments with any suggested improvements or corrections to our Catalog Department via Fax or mail.

Fax: Product Management / Catalog Department
(419) 866-3924

Mail: Dana Corporation
Heavy Vehicle Technologies and Systems Service
Attn: Product Management / Catalog Department
PO Box 321
Toledo, OH 43697-0321

Comments and Suggested Improvement/Corrections	Page Number	Part Number



Dana Aftermarket Group
PO Box 1000
Maumee, Ohio 43537

Warehouse Distributors: 1.800.621.8084
OE Dealers: 1.877.777.5360

www.SpicerParts.com

SPICER[®]



J300P-6 Printed in U.S.A.
Copyright Dana Limited, 2014.
All rights reserved. Dana Limited.

